

MICROTEC IM-2 INVERTED BIOLOGICAL MICROSCOPE



MICROTEC IM-2 with plain stage



MICROTEC IM-2 with attachable mechanical stage

The IM-2 Inverted microscope has excellent flat field phase contrast long working distance objectives. The illumination is a 6v 30w Halogen lamp with intensity regulation. The standard model has a phototube incorporated; enabling a camera attachment to be readily added.
The long working distance objectives are corrected for working through a 1.2mm thickness chamber.

IM-2 Inverted Microscope

IM-2S	Stand with coarse and fine focusing, Binocular head with photo port. Plain stage 160 x 240mm LWD condenser NA 0.3 WD = 72mm PL 10x/22mm eyepieces Quintuple nosepiece Phase telescope Phase slider for 4x, 10x, 20x & 40x objectives	
IM-2PL4P	LWD Plan objective 4x/NA=0.40 WD=22mm – phase contrast	
IM-2PL10P	LWD Plan objective 10x/NA=0.25 WD=7.94mm – phase contrast	
IM-2PL20P	LWD Plan objective 20x/NA=0.40 WD= 7.66mm – phase contrast	
IM-2	Complete microscope as above	£2895.00

Optional Items

Additional long working distance phase contrast objective

IM-2PL40P	LWD Plan objective 40x/NA=.40 WD=7.66 Phase contrast	£323.00
------------------	---	----------------

Mechanical stage

IM-2001	Attachable mechanical stage Movement 120mm x 78mm	£140.00
IM-2003	Holder 35mm diam. Petri dish	£32.00
IM-2004	Holder for 3 x 1" slide	£32.00
IM-2005	Holder for Terasaki chamber	£32.00

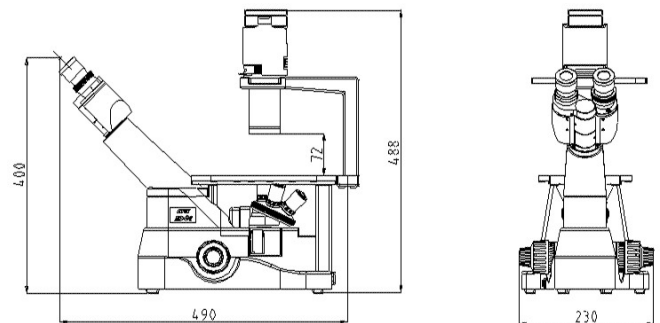
Stage extension

IM-2002	Stage extenders – increase width of stage by 70mm on each side	£43.00
----------------	--	---------------

Camera Adapters

IM-2006	C-mount adapter 0.5x	£75.00
IM-2007	C-mount adapter 0.67x	£108.00

PRICES EXCLUDE VAT AND DELIVERY



TEC MICROSCOPES LTD

The Vineyard-Hillside-Axbridge-Somerset BS26 2AN
Tel: 01934 733679 - Fax: 01934 733660
Email: enquiries@tecmicroscopes.co.uk